



RS-PI09CA02

Middle Range UHF Integrated Reader

RS-PI09CA02

Middle Range UHF Integrated Reader

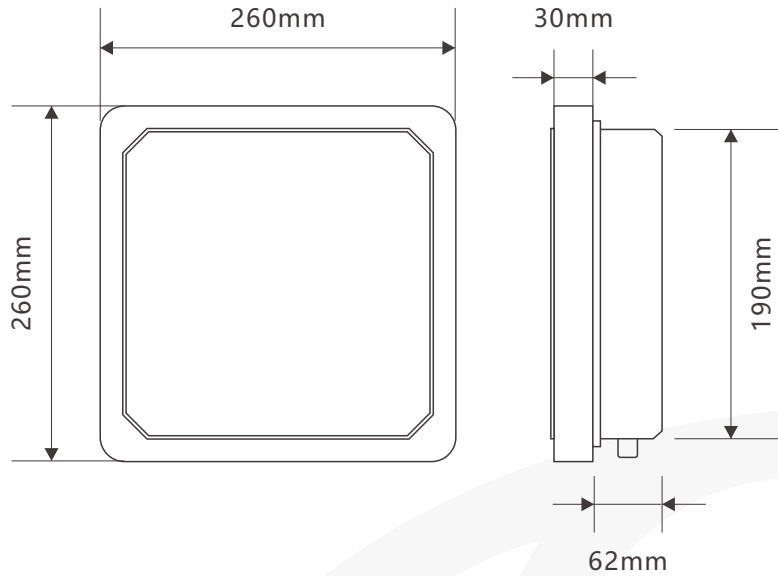


RS-PI09CA02 long range UHF integrated reader with built in 9dBi circular polarization antenna, reading range up to 15 meters, portable and user-friendly, is widely used in asset tracking, production line, warehouse, logistic management, vehicle and personal management.

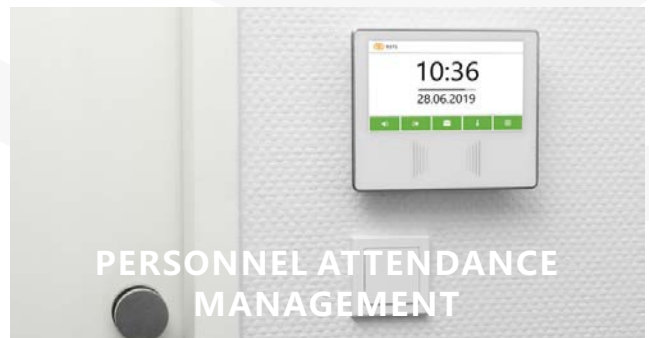
RS-PI09CA02 Middle Range UHF Integrated Reader

Product Dimensions

Any discrepancy, please defer to the real product instead.



Application



RS-PI09CA02

Middle Range UHF Integrated Reader

Specification

UHF	
RF Protocol	EPC C1 G2 (ISO18000-6C)
Engine	Based on Impinj E710
Frequency	North America: 902MHz~928MHz; Europe: 865MHz~868MHz; China: 920MHz~925MHz; others can be customized
Working	FHSS/ fixed frequency, set by software
Antenna Gain	Built-in 9dBi circular polarization antenna
Output Power	5dBm~33dBm stepping by 1dBm
Beam, Width	H: 70°, Ver: 60°
VSWR	≤1.4
Impedance	50 Ω
Communication Port	RS-232, RS-485, RJ45G
optional functions	4G, WiFi
Input/Output	2 relay outputs, 2 optical isolation inputs
Reading Range	Up to 15 meters
Mechanical & Electrical Performance	
Power	DC 9~24V or PoE power supply
Maximum Power	100W
Lightning Protection	DC ground
Dimension	260×260×100mm
Radome	φ30-50mm
Weight	2.75kg
Material	ABS Industrial casing
Radome Colour	White
Work Temperature	-20°C ~ +60°C
Storage Temperature	-30°C ~ +70°C
IP Rate	IP65



RuiSing Technology Company (Hong Kong) Limited



www.rstc-hk.com



+86-755-2692 2853



sales@rstc-hk.com



HONGKONG

Shun Luen Factory Building, No.86 To Kwa Wan



SHENZHEN

9/F, Xinjing Mansion, Xinqu Blvd, Longhua District

